



**Oil & Gas Pipeline Engineering Design and  
Construction Management  
PFE03**



**Oil & Gas  
Consultancy Services & Technical Training Providers**

*Enhancing business through knowledge*

[www.petroconsultenergy.co.uk](http://www.petroconsultenergy.co.uk)

# Oil & Gas Pipeline Engineering Design and Construction Management (PFE03)

## Course Contents:

### 1. Pipeline design

- Introduction
- Basic corrosion consideration in design
- Key issues in Pipeline design
  - ⇒ Pressure Differentials
  - ⇒ Pressure Ratings
  - ⇒ Protective devices
  - ⇒ Relevant codes & standards
  - ⇒ Pipe fitting stresses etc.

### 2. Types of Pipeline Equipment

- Valves, heaters, regulators & control valves, meters, pipes, pneumatics & hydraulic equipment

### 3. Pipeline Engineering Code Review

- Best Practices
- Federal Codes & International Standards

### 4. Design Pressure Calculations

- Design Equations based on Material
- Maximum Allowable Operating Pressure



## 5. Design Standards Development

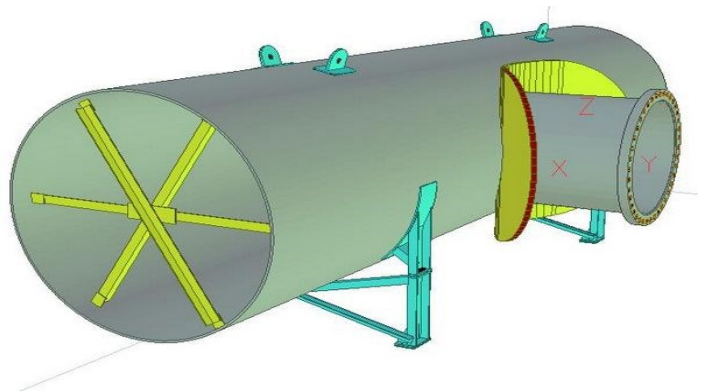
- Key Standards preceding and Incorporated into designs
- Written Policy
- Design procedures
- Equipment & materials selection
- Maintenance procedures
- Advantages and Disadvantages of Design standards

## 6. Pipeline Design Process

## 7. Design Pressure Calculations

### Who Should Attend?

- Engineers
- Maintenance Technicians
- Project Team Members
- Contractor's Supervisors



### Venue:

Please visit our website or contact us for details.

### Tuition:

£2,950+VAT

5 day program

**5 easy ways to  
register or to  
make an enquiry:**

1.Web

[www.petroconsultenergy.co.uk](http://www.petroconsultenergy.co.uk)

2.Email

[info@petroconsultenergy.co.uk](mailto:info@petroconsultenergy.co.uk)

3.Phone

+44(0)1708 755355

4.Fax

+44(0)1708 755358

5.By post

*Petroconsult Energy Co. Ltd.*

4 Holgate Court, Western Road,  
Romford. RM1 3JS, United Kingdom