

Water Treatment & Water Injection in Oil & Gas Production PEP06



Oil & Gas
Consultancy Services & Technical Training Providers

Enhancing business through knowledge

www.petroconsultenergy.co.uk

Water Treatment & Water Injection in Oil & Gas Production (Production Field Water Management) (PEP06)

Course Description:

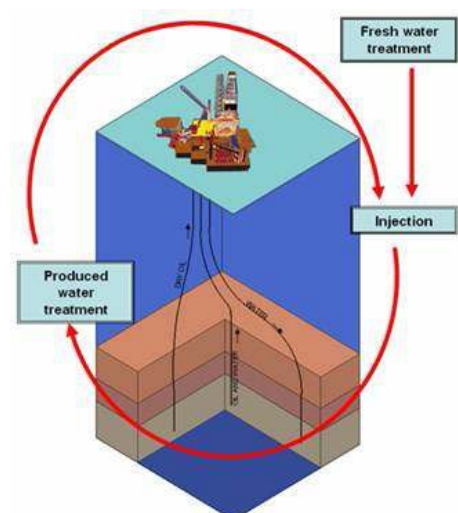
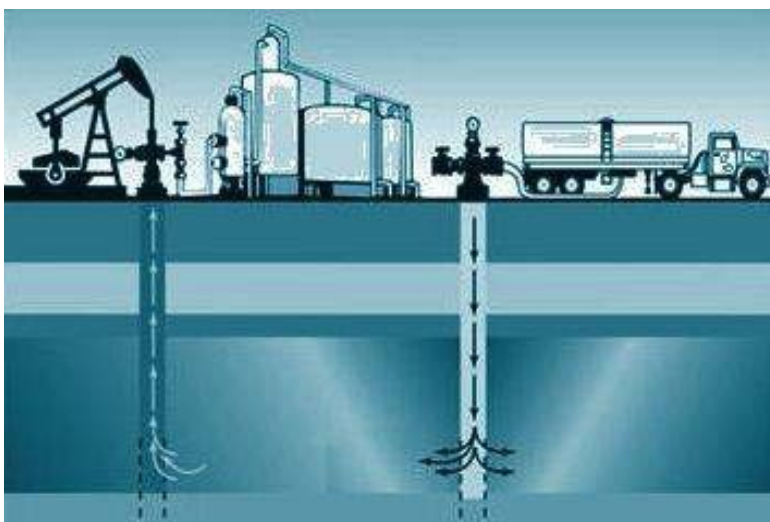
Water management remains a key part of operational processes in hydrocarbon production.

It has been established that water injection and disposal of produced water constitutes problems both in terms of volume produced, volume required for injection and disposal methods. Similarly, the environmental implications of produced water as well as the technical implications of producing water more than required or expected from a field could result in significant field problem with economic implications too.

The course also considers detailed water treatment techniques after due attention has been placed on the sources & “Fouling” in the production systems.

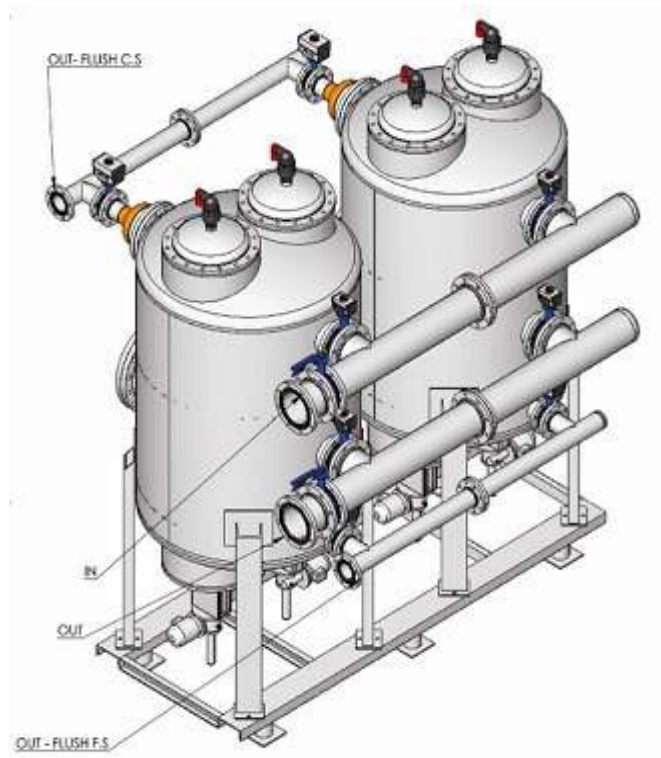
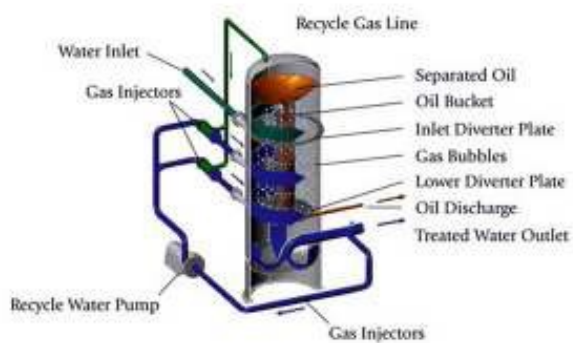
This program has always been popular as more operators strive to produce their reservoirs to the last available barrel given the current prices of oil.

Hence there is an enormous amount of water being pumped that require adequacy in water management techniques.



Course Contents:

1. Basic Geology in Relation to Water Flood Design & Management
2. Water Treatment & Disposal / Injection Systems Design
3. Source Water Characteristics, Injection Water Specifications & Data Acquisition
4. Scale & Scale Control & Calcium Naphthanates

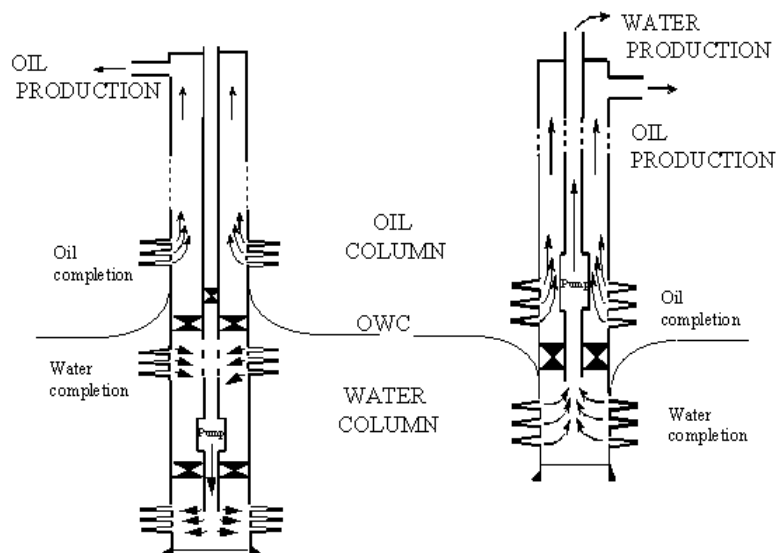


5. Micro & Macro Biological Considerations PTO



6. Corrosion & Corrosion Centre

7. Water Treatment Equipment & Processes



8. Chemicals & Chemical Selection

9. Economics & Water Management in Oil & Gas Production



Who Should Attend?

- Production & Process Engineers & Technicians
- Geologists
- Well Log Geologists & Engineers
- Petroleum Engineering & Reservoir Asset Management Staff

Venue:

Please visit our website or contact us for details.

Tuition:

£2,995+VAT

5 day program

**5 easy ways to
register or to
make an enquiry:**

1.Web

www.petroconsultenergy.co.uk

2.Email

info@petroconsultenergy.co.uk

3.Phone

+44(0)1708 755355

4.Fax

+44(0)1708 755358

5.By post

Petroconsult Energy Co. Ltd.

4 Holgate Court, Western Road,

Romford. RM1 3JS, United Kingdom